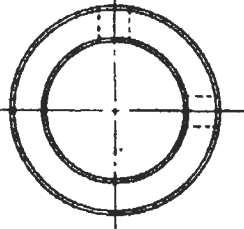
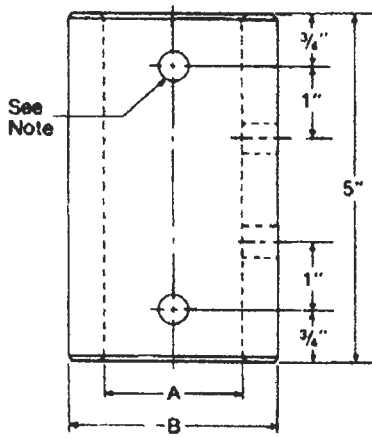


Couplings and Stuffing Boxes

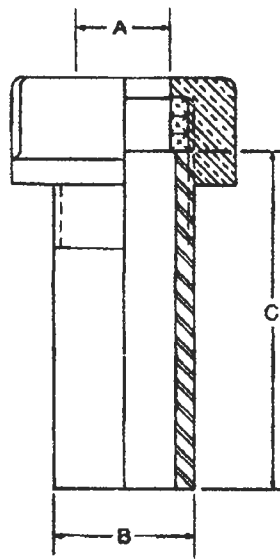


Type PC
Steel Coupling
for Pinned Assembly

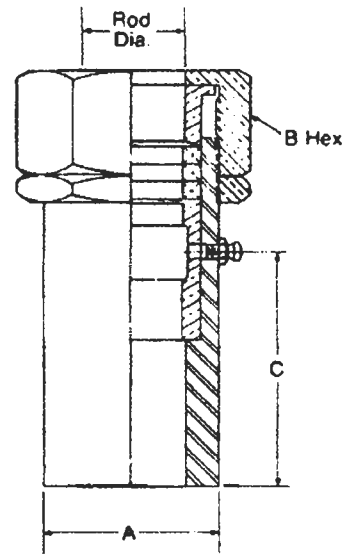
Note: four holes to be drilled by customer.

TYPE PC

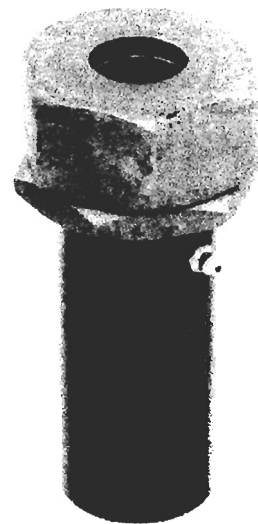
Rod Dia.	Number	A	B	Roll Pin Size
1/2	50061-508	.500/.503	1	5/32x1
3/4	50061-512	.750/.753	1 1/4	3/16x1 1/4
1	50061-516	1.000/1.003	1 1/2	3/16x1 3/4
1 1/4	50061-520	1.250/1.253	1 7/8	1/8x2
1 1/2	50061-524	1.500/1.503	2 1/8	3/8x2 1/2
1 3/4	50061-528	1.750/1.753	2 1/4	7/16x3
2	50061-532	2.000/2.003	3	7/16x3



Stuffing Box



Lubricated Stuffing Box



STUFFING BOX

Number	"A" Dia. Fits Pipe Size	B	C
50136-506	3/4	1.05	2 1/2
50136-508	1/2	1.31	2 19/16
50136-512	3/4	1.66	2 19/16
50136-516	1	1.66	3 1/2
50136-520	1 1/4	2.37	3 1/2
50136-524	1 1/2	2.37	4
50136-532	2	2.87	4

LUBRICATED STUFFING BOX

Number	Rod Dia.	A	B (Hex)	C
50063-508	1/2	1 1/8	1 1/4	3 3/8
50063-512	3/4	1 1/2	2 1/8	3 3/8
50063-516	1	1 3/4	2 3/8	3 3/8
50063-520	1 1/4	2	2 3/8	3 3/8
50063-524	1 1/2	2 1/2	2 7/8	3 3/8

Stuffing Box Bill of Materials

Description	Material	Lube.	Non-Lube.
Body	C. R. Steel	•	•
Packing Nut	Bronze	•	•
Gland	Bronze	•	
Bushing	Bronze	•	
Packing	Furnished by Customer		