

Deck Boxes

The deck box is designed for precise remote control during partial or full operation of a remote valve. Its indicator reveals at a glance the exact operating position of the valve. It is recommended for a remote station installation that might need: 1) protection from weather exposure; 2) an installation flush to the deck; 3) a degree of protection against tampering. It can be directly assembled to a flexible shaft or rigid rod system.

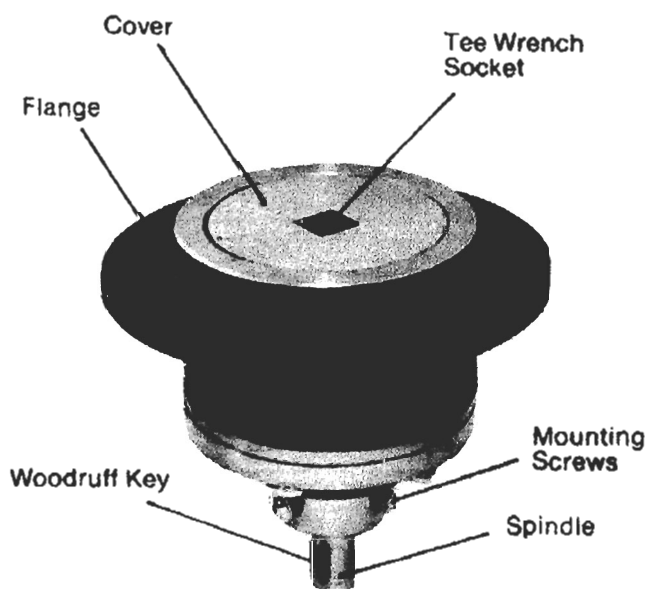
A separate tee wrench is available to remove the deck box cover and to turn the spindle to open or close a valve.

Greaser protection against tampering is provided with those deck box models equipped with an internal locking strap that prevents access to the spindle.

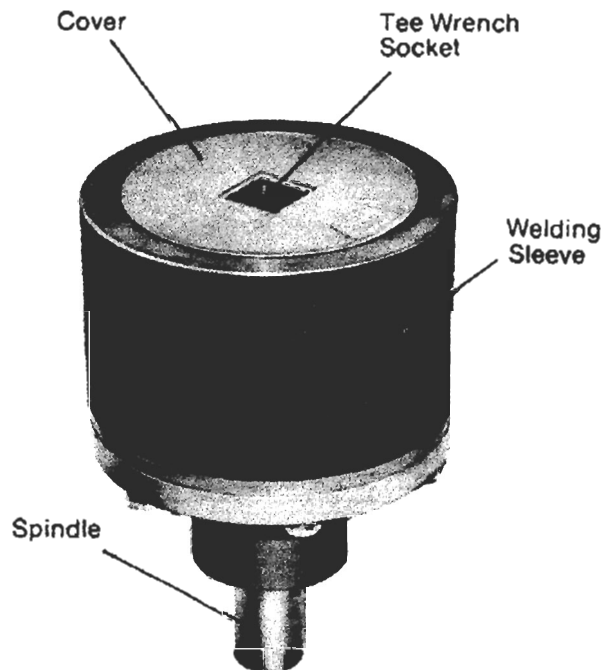
The indicator mechanism shows the exact number of turns (40 turns max.). A 360° indicator model is available for valves requiring one turn or less (butterfly, ball or plug valves).

The deck box can be installed welded flush (steel welding sleeve) or bolted to deck. On bolting flange models, the flange is supplied loose for field welding, allowing compensation for deck thickness.

A non magnetic model is available with an integral bronze bolting flange.



**Typical Deck Box
with Bolting Flange**

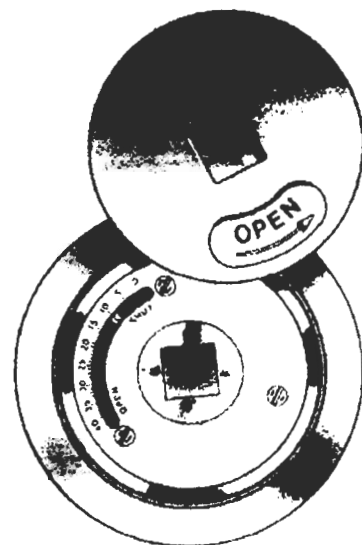
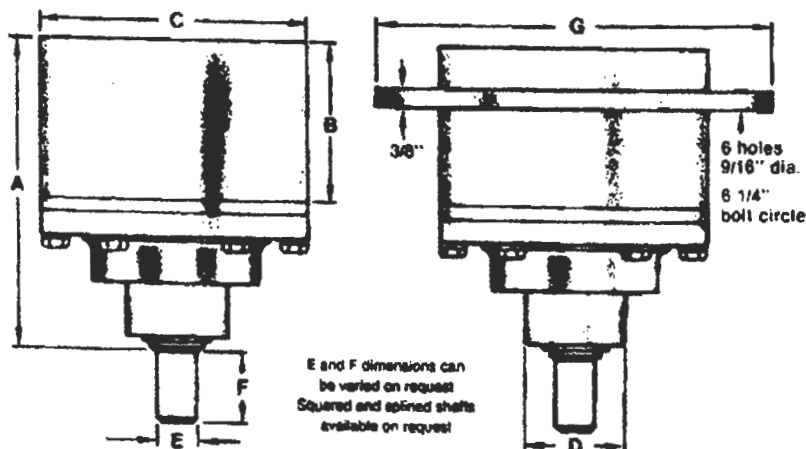


**Typical Deck Box
with Welding Sleeve**

Deck Box is a weather tight operator that has been designed to provide smooth operation of valves through floors, walls, bulkheads and decks. The unique indicator mechanism is constructed of rugged components and is thoroughly protected from the environment even with the cover removed. This provides positive indication of up to 40 turn valves under the worst conditions. For larger valves requiring more turns of indication, a 100 turn unit is available.*

For ball and plug valves, there is a 90° indicator unit.** The cover is removed and the deck box is operated by use of a tee wrench (optional). It can be made tamper proof with the addition of a locking device.

Both welding sleeve and bolting flange models are available for either welding or bolting in place. On the bolting flange model, the flange is supplied unattached so it can be field adjusted to accommodate various installation conditions.



Rod Dia.	Part Number		
	With Turn Indicator †	With Turn Indicator † and Locking Strap	With 360° Indicator
1/2	14757-605	Just add Locking Strap Assembly 25098-501 as separate item	18389-605
5/8	14757-610		18389-610
3/4	14757-612		18389-612
1	14757-616		18389-616
1 1/4	14757-620		18389-620

