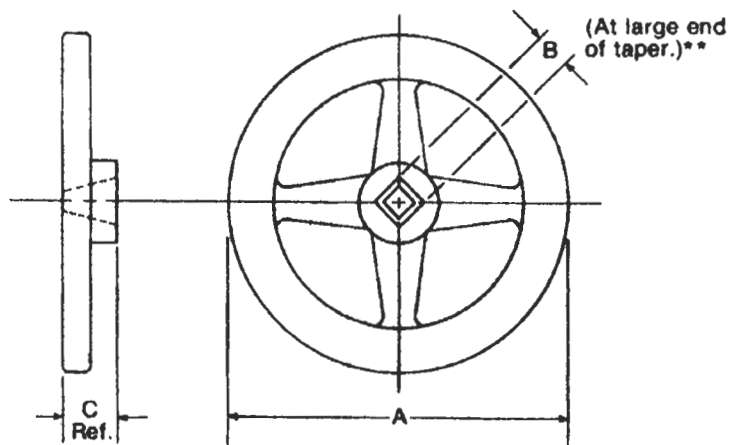
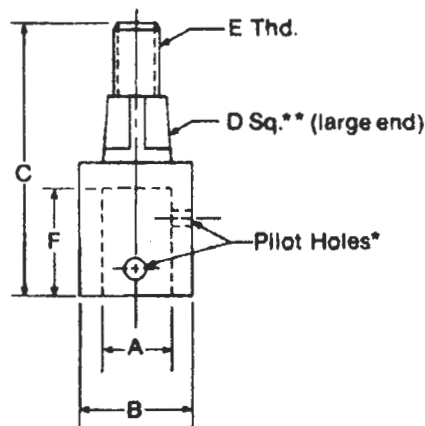


Handwheels and Handwheel Adapters



Handwheel



Handwheel Adapter

*To be drilled through for taper pin at assembly by customer.

HANDWHEELS

A (Dia.)	B (Sq.)	C (Ref.)	Part Number		A (Dia.)	B (Sq.)	C (Ref.)	Part Number	
			Aluminum	Bronze				Aluminum	Bronze
3†	5/16	7/16	11359-50	8867-36	10†	3/4	1	11359-6	8867-5
4†	5/16	1/2	11359-26	8867-18	10	1 1/16	1	11359-18	8867-41
4	3/8	1/2	11359-48	8867-39	12†	3/4	1 1/8	11359-7	8867-6
5	5/16	5/8	11359-57		12†	1	1 1/8	11359-20	
5†	3/8	3/8	11359-1	8867-11	12	1 1/8	1 1/8	11359-21	
5	1/2	5/8	11359-61		12	1 3/8	1 1/8	11359-32	8867-24
6	3/8	1 1/16	11359-59		14	3/4	1 1/8	11359-22	8867-42
6†	7/16	1 1/16	11359-28	8867-25	14†	1 1/16	1 1/8	11359-8	8867-7
6	1/2	1 1/16	11359-16		14	1 3/8	1 1/8	11359-23	
6	9/16	1 1/16	11359-2	8867-1	16†	1 3/8	1 7/16	11359-9	8867-8
6	3/4	1 1/16	11359-75		16†	1 3/8	1 7/16	11359-37	8867-17
7	7/16	3/4	11359-60		16†	1 3/8	1 5/8	11359-10	8867-9
7†	1/2	3/4	11359-63		18†	1 3/8	1 5/8	11359-24	
7†	9/16	3/4	11359-3	8867-2	21†	1 3/8	1 7/8	11359-11	8867-10
7	5/8	3/4	11359-70		21†	1 3/8	1 7/8	11359-14	8867-12
8	7/16	7/8	11359-84		24†	1 3/8	2 1/16	11359-12	8867-13
8†	9/16	7/8	11359-4	8867-3	27†	1 3/8	2 1/4	11359-13	8867-14
8	3/4	7/8	11359-71		27	3/4	2 1/4	11359-101	
8	3/4	7/8	11359-41	8867-40					
9†	3/4	1 5/16	11359-45						
9†	3/4	1 5/16	11359-5	8867-4					
9	1 1/16	1 5/16	11359-88						

†Bureau of Ships Standards.

HANDWHEEL ADAPTERS

(Part Nos. in bold face are Standard.)

A (Bore)	B (Dia.)	C	D (Sq.)	E (Thd.)	F	Part Number	
						Steel	Stainless
5/8	1	2 3/8	3/8	5/16-18	.94	14212-501	14212-521
5/8	1	2 3/8	7/16	3/8-16	.94	14212-819	14212-539
5/8	1	2 13/16	9/16	1/2-13	.94	14212-802	14212-522
5/8	1	3 1/8	3/4	5/8-11	.94	14212-562	
3/4	1 1/4	3 1/16	9/16	1/2-13	1.12	14212-803	14212-523
3/4	1 1/4	3 3/8	5/8	1/2-13	1.12	14212-580	14212-541
3/4	1 1/4	3 3/8	3/4	5/8-11	1.12	14212-815	14212-535
1	1 1/2	3 3/16	3/4	5/8-11	1.50	14212-804	14212-524
1	1 3/4	5 1/16	1 1/8	1-8	1.50	14212-518	14212-538
1 1/4	2	4 3/8	3/4	5/8-11	2.00	14212-509	14212-529
1 1/4	2	5 1/8	1	1-8	2.00	14212-520	14212-540
1 1/4	2	5 1/8	1 1/8	1-8	2.00	14212-505	14212-525
1 1/4	2	6 1/16	1 1/8	1 1/8-7	2.00	14212-506	14212-526
1 1/2	2	5 3/8	1 3/16	1-8	2.00	14212-508	14212-528
1 1/2	2	6 1/16	1 3/8	1 1/8-7	2.00	14212-507	14212-527
1 3/4	2 1/4	6 3/4	1 3/8	1 1/8-7	2.25	14212-511	14212-531

Other handwheels and adapters are available on request.

Non Magnetic Applications. Bronze handwheels with less than 2.0 permeability are available on special order.