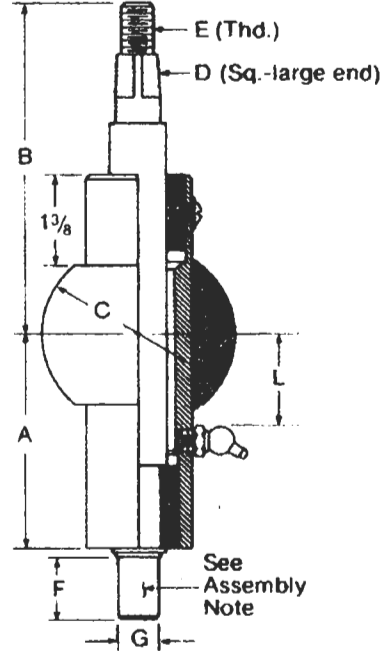
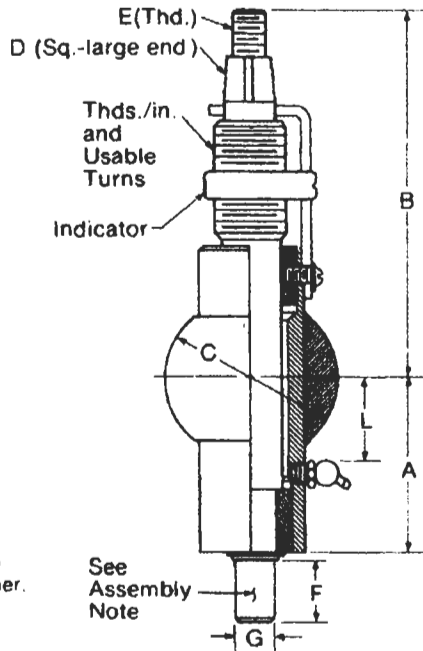


Remote Operating Stations



Assembly Note: Mating parts to be pinned or welded by customer.

Note: RHM5 same as RIHM5 less "Open" and "Closed" indicator.

See Assembly Note

See Assembly Note

Deck or Bulkhead Terminals with welding collar

Bill of Materials

Description	Material	RIHM5	RHM5
Collar	Steel	•	•
Indicator Plate	Brass	•	•
Housing	Steel	•	•
Bushing	Mn. Bronze	•	•
Spindle	Bronze, Alum.	•	•
Indicator Arm	Mn. Bronze	•	•
Screw	Brass	•	•
"O" Ring	Syn. Comp.	•	•

with Indicator Number	Rod Dia.	A	B	C	D†† (Sq.)	E (Thd.)	F	G	L Max. Deck Thick.	Indicator†		Reference Model Number
										Thds./In.	Usable Turns	
9879-501	5/8	3 1/4	6 1/8	2 15/16	9/16	1/2-13	15/16	5/8	1 1/16	8	10	9879RIHM510-10
9879-502										12	15	9879RIHM515-10
9879-503	3/4	3 3/8	7 1/16	3 5/16	3/4	5/8-11	1 1/8	3/4	1 9/16	8	14	9879RIHM514-12
9879-504										12	21	9879RIHM521-12
9879-505	1	3 1/2	8 15/16	3 1 1/16	1 3/16	1-8	1 1/2	1	1 13/16	8	17	9879RIHM517-16
9879-506										16	34	9879RIHM534-16
9879-507										20	42	9879RIHM542-16
9879-511	1 1/4	4 1/4	9 9/16	4 5/16	1 3/8	1 1/8-7	1 7/8	1 1/4	2 1/16	8	17	9879RIHM517-20
9879-512										20	42	9879RIHM542-20

†Specify part number whose usable turns are equal to or greater than number of turns required by valve.

without Indicator Number	Rod Dia.	A	B	C	D†† (Sq.)	E (Thd.)	F	G	L Max. Deck Thick.	Reference Model Number
12583-510	5/8	3 1/4	5	2 15/16	9/16	1/2-13	15/16	5/8	1 1/16	12583RHM5-10
12583-512	3/4	3 3/8	5 5/8	3 5/16	3/4	5/8-11	1 1/8	3/4	1 9/16	12583RHM5-12
12583-516	1	3 1/2	7 3/8	3 1 1/16	1 3/16	1-8	1 1/2	1	1 13/16	12583RHM5-16
12583-520	1 1/4	4 1/4	8 3/8	4 5/16	1 3/8	1 1/8-7	1 7/8	1 1/4	2 1/16	12583RHM5-20

†† 3/4" per ft. taper

For shock test per MIL-S-901C information consult with Southland.