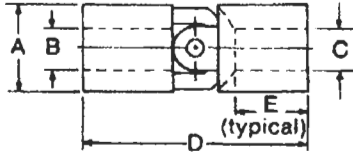


# Universal, Joints and Splined Slip Joints

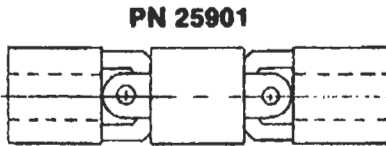
Universal Joints are supplied per MIL-U-20625. They will transmit at least 98% of applied torque at 180° and at least 80% of applied torque at 150°. For angles less than 150° Swivel Geared Joints should be used.



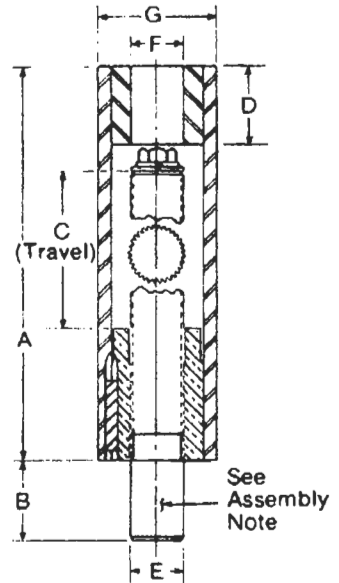
**Universal Joint**

Universal Joints should always be used in pairs.

When space considerations do not warrant the use of two U-Joints a Double Universal Joint as shown below may be used.



**PN 25901**



**Type SJM**

Splined Slip Joint Assembly

**UNIVERSAL JOINTS** (Part numbers in bold face are standard.)

A (O.D.)	B* (bore)	C* (bore)	D	E (Min.)	Part Number		
					Steel	Bronze	Stainless Steel
1	1/2	1/2	3 3/8	1 1/16	<b>50053-101</b>	50054-101	50174-101
1 1/8	5/8	5/8	3	3/8	<b>50053-523</b>	50054-119	
1 1/4	3/4	3/4	3 3/4	1 1/8	<b>50053-528</b>		
1 1/4	1/2	1/2	3 3/4	1 1/8	<b>50053-517</b>		
1 1/4	3/8	3/8	3 3/4	1 1/8	<b>50053-504</b>	50054-503	50174-502
1 1/4	3/4	3/4	3 3/4	1 1/8	<b>50053-121</b>	50054-121	<b>50174-121</b>
1 1/4	3/4	5/8	3 3/4	1 1/8	<b>50053-125</b>		
1 1/4	3/4	1/2	3 3/4	1 1/8	<b>50053-501</b>		
1 1/4	5/8	1/2	3 3/4	1 1/8	<b>50053-543</b>	50054-504	
1 1/2	7/8	7/8	4 1/4	1 3/8	<b>50053-503</b>	50054-125	50174-125
1 3/4	3/4	3/4	5	1 1/2	<b>50053-509</b>	50054-509	
1 3/4	7/8	7/8	5	1 1/2	<b>50053-532</b>		
1 3/4	1	1	5	1 1/2	<b>50053-129</b>	50054-129	<b>50174-129</b>
1 3/4	1 1/16	1 1/16	5	1 1/2	<b>50053-512</b>		
1 3/4	1 1/4	1 1/4	5	1 1/2	<b>50053-522</b>		
1 3/4	1	3/4	5	1 1/2	<b>50053-508</b>	50054-501	
2	1 1/4	1 1/4	5 7/16	1 9/32	<b>50053-201</b>	50054-201	50174-201
2 1/2	1 1/4	1 1/4	7	2 3/8	<b>50053-510</b>	50054-512	
2 1/2	1 1/2	1 1/2	7	2 3/8	<b>50053-225</b>	50054-225	50174-225
3	1 3/4	1 3/4	9			50054-301	50174-301
4 3/16	2 1/4	2 1/4	11 1/2	3 5/8	<b>50053-514</b>		
4 3/16	2 1/2	2 1/2	11 1/2	3 5/8	<b>50053-420</b>		

\*Other bores on special order.

**TYPE SJM**

Part Number	A	B	C	D	E	F*	G	Reference Model Number
10808-522	4.00	.94	1.06	.94	5/8	5/8	2.12	10808-SJM-10
10808-523	5.62	1.12	2.12	1.50	3/4	3/4	2.12	10808-SJM-12
10808-526	7.88	1.50	4.25	1.50	1	1	2.12	10808-SJM-16
10808-525	10.25	1.88	5.62	1.88	1 1/4	1 1/4	2.50	10808-SJM-20

For shock test per MIL-S-901C information consult with Southland.

**Type SJM Slip Joint Assembly**

**Bill of Materials**

Description	Material
Sleeve	Steel
Bushing	Steel
Cap Screw	Steel
L. Washer	Steel
Washer	Steel
Splined Adapter	Steel
Splined Bushing	MN Bronze