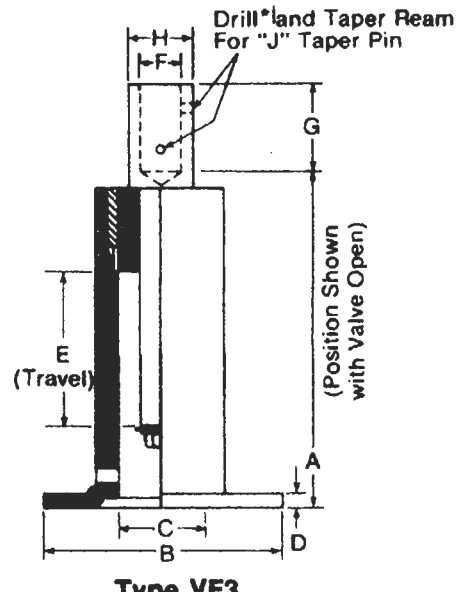
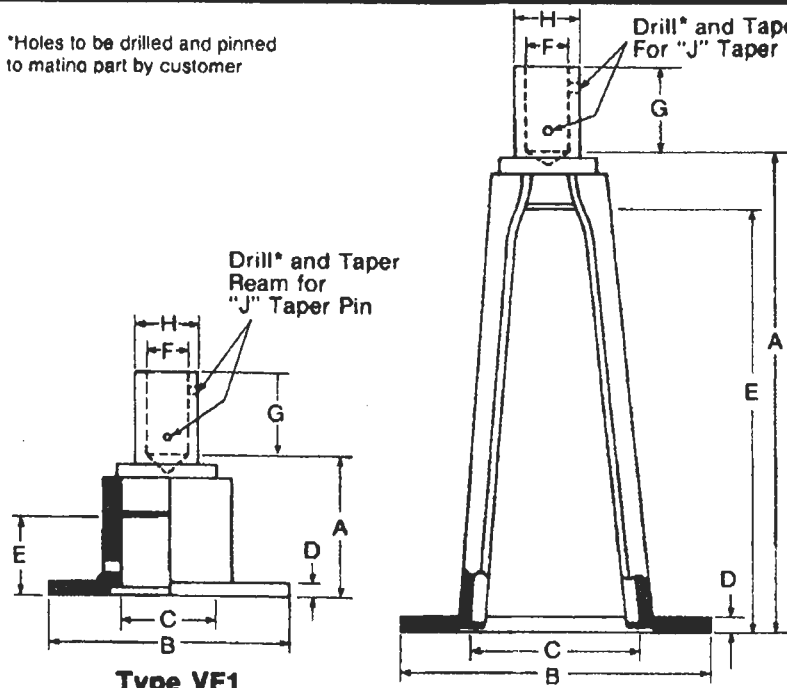


Valve Couplings — Female

*Holes to be drilled and pinned to mating part by customer



Type VF1
For non-rising handwheel valves

Type VF2
For rising stem valve.

Type VF3
For rising handwheel valve.

TYPE VF1

To Fit Valve Handwheel Size	Rod Dia.	A	B	C	D	E	F	G	H	J (Taper Pin)	Reference Model Number
3"-5"	5/8	2 3/8	3 1/4	1 1/4	3/16	1 3/8	5/8	1 5/16	.94	00x1 5/16	9859-VF1-10
6"-9"	3/4	2 1/2	4 1/4	1 5/8	3/16	1 5/8	3/4	1 1/8	1.12	0x1 1/8	9859-VF1-12
10"-12"	1	2 1/2	6 1/2	2	1/4	1 3/8	1	1 1/2	1.50	4x1 1/2	9859-VF1-16
14"-27"	1 1/4	2 15/16	8	2 3/8	5/16	1 9/16	1 1/4	1 7/8	2.00	5x2	9859-VF1-20

TYPE VF2

To Fit Valve Handwheel Size	Rod Dia.	A	B	C	D	E	F	G	H	J (Taper Pin)	Reference Model Number
3"-5"	5/8	6	4 3/4	2 3/8	1/4	5	5/8	1 5/16	.94	00x1 5/16	9860-VF2-10
6"-9"	3/4	8 1/2	5 1/2	3	1/4	7 3/8	3/4	1 1/8	1.12	0x1 1/8	9860-VF2-12
10"-12"	1	12 1/2	7	3 3/8	1/4	11 3/8	1	1 1/2	1.50	4x1 1/2	9860-VF2-16
14"-27"	1 1/4	18 3/8	8 3/4	4 7/8	5/16	17 1/4	1 1/4	1 7/8	2.00	5x2	9860-VF2-20

TYPE VF3

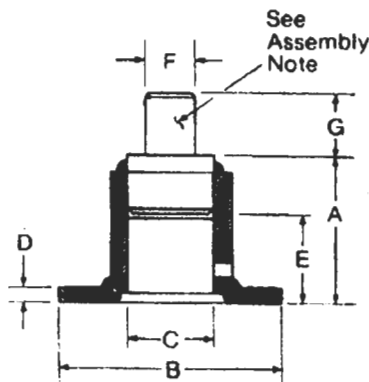
To Fit Valve Handwheel Size	Rod Dia.	A	B	C	D	E	F	G	H	J (Taper Pin)	Reference Model Number
3"-5"	5/8	4 3/16	3 1/4	1 1/4	3/16	1 1/2	5/8	1 5/16	.94	00x1 5/16	9861-VF3-10
6"-9"	3/4	5 13/16	4 1/4	1 5/8	3/16	2 3/4	3/4	1 1/8	1.12	0x1 1/8	9861-VF3-12
10"-12"	1	7 11/16	6 1/2	2	1/4	4 1/4	1	1 1/2	1.50	4x1 1/2	9861-VF3-16
14"-27"	1 1/4	10 5/16	8	2 3/8	5/16	6	1 1/4	1 7/8	2.00	5x2	9861-VF3-20

Bill of Materials

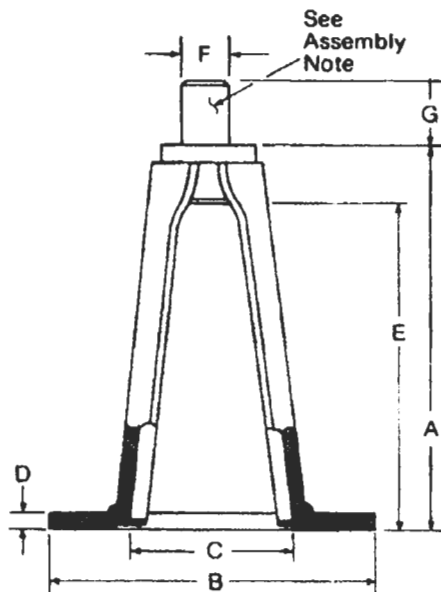
Description	Material	VF1	VF2	VF3
Handwheel Adap. (flange and risers)	Steel Mn. Br.	•	•	•
Taper Pins (Qty-2)	Steel	•	•	•
Female Adapter	Steel	•	•	•
Square Adapter	Steel		•	•
Flanged Sleeve	Steel		•	•
Cap Scr.	Steel		•	•
Washer	Steel		•	•
Lock Washer	Steel		•	•

Valve Couplings — Male

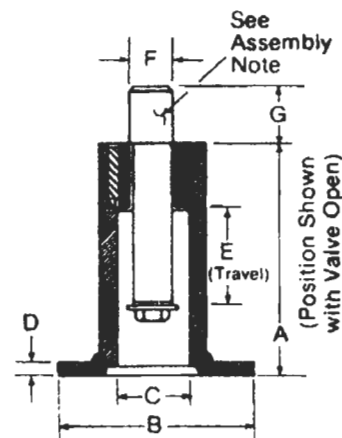
Assembly Note: Mating parts to be pinned or welded by customer.



Type VM1
For non-rising handwheel valve.



Type VM2
For rising stem valve.



Type VM3
For rising handwheel valve.

TYPE VM1

To Fit Valve Handwheel Size	Rod Dia.	A	B	C	D	E	F	G	Number
3"-5"	5/8	2 1/4	3 1/4	1 1/4	3/16	1 3/8	5/8	1 5/16	9787-VM1-10
6"-9"	3/4	2 1/4	4 1/4	1 1/8	3/16	1 3/8	3/4	1 1/8	9787-VM1-12
10"-12"	1	2 1/4	6 1/2	2	1/4	1 3/8	1	1 1/2	9787-VM1-16
14"-27"	1 1/4	2 3/16	8	2 3/8	5/16	1 1/16	1 1/4	1 7/8	9787-VM1-20

Bill of Materials

Description	Material	VM1	VM2	VM3
Handwheel Adap. (flange & risers)	Steel, Mn. Br.	•	•	•
Male Adapter	Steel	•	•	
Square Adapter	Steel			•
Cap. Scr.	Steel			•
Washer	Steel			•
Lock Washer	Steel			•

TYPE VM2

To Fit Valve Handwheel Size	Rod Dia.	A	B	C	D	E	F	G	Reference Model Number
3"-5"	5/8	5 7/8	4 3/4	2 3/8	1/4	5	5/8	1 5/16	9785-VM2-10
6"-9"	3/4	8 1/4	5 1/2	3	1/4	7 3/8	3/4	1 1/8	9785-VM2-12
10"-12"	1	12 1/4	7	3 3/8	1/4	11 3/8	1	1 1/2	9785-VM2-16
14"-27"	1 1/4	18 1/4	8 3/4	4 3/8	5/16	17 1/4	1 1/4	1 7/8	9785-VM2-20

TYPE VM3

To Fit Valve Handwheel Size	Rod Dia.	A	B	C	D	E	F	G	Reference Model Number
3"-5"	5/8	4	3 1/4	1 1/4	3/16	1 1/2	5/8	1 5/16	9786-VM3-10
6"-9"	3/4	5 1/2	4 1/4	1 1/8	3/16	2 3/4	3/4	1 1/8	9786-VM3-12
10"-12"	1	7 3/8	6 1/2	2	1/4	4 1/4	1	1 1/2	9786-VM3-16
14"-27"	1 1/4	9 3/8	8	2 3/8	5/16	6	1 1/4	1 7/8	9786-VM3-20